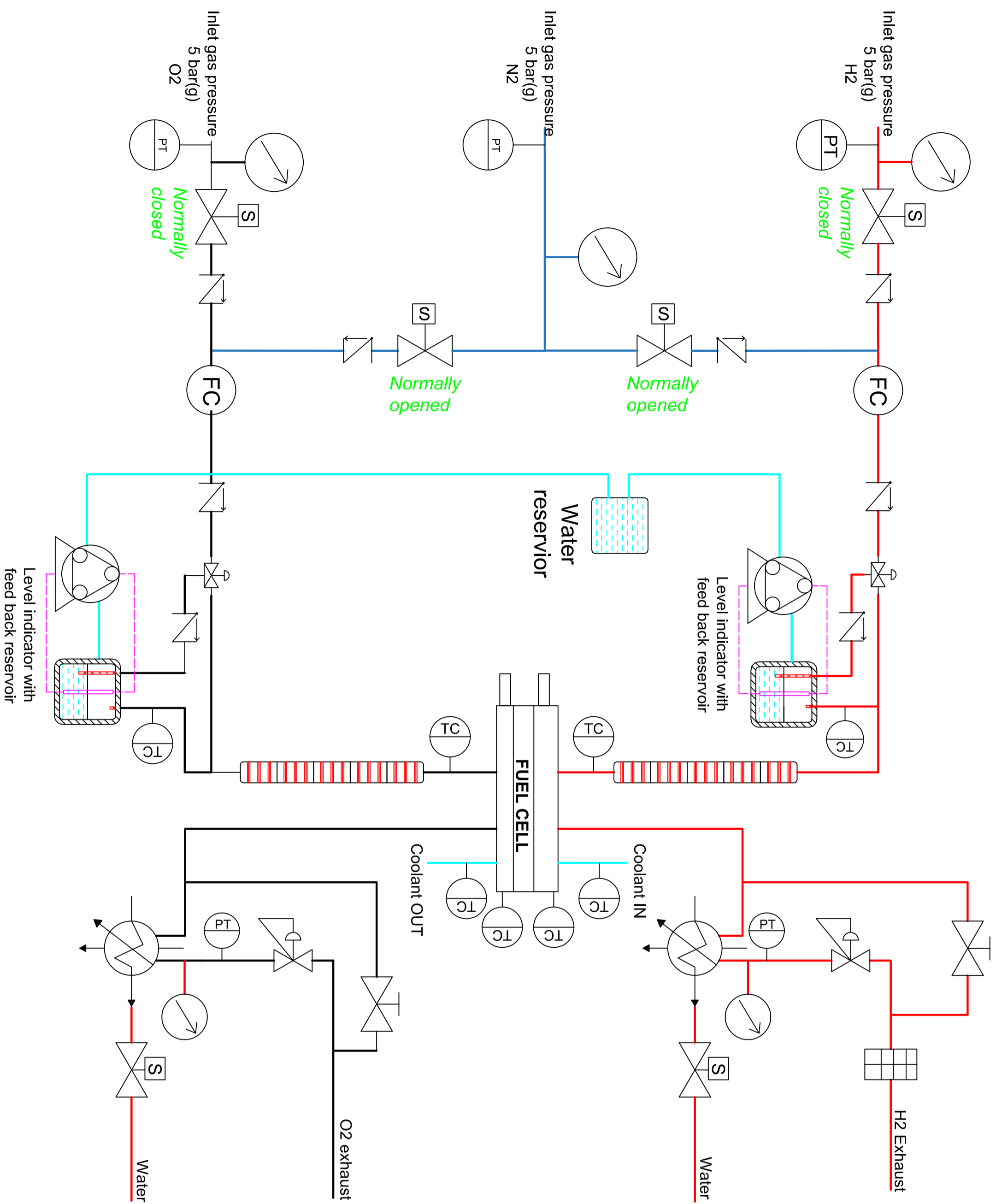


# ANNEXURE - I : P & I DIAGRAM OF SINGLE FUEL CELL TEST MODULE



## LEGENDS

	Pressure Indicator
	Solenoid Valve
	Non return valve
	Mass flow controller
	Humidifier with heater
	Peristaltic Pump
	3 Way Manual Valve
	Line heater
	Back pressure regulator
	Condenser
	Temperature sensor
	Manual valve
	Pressure transducer
	Flash back arrester