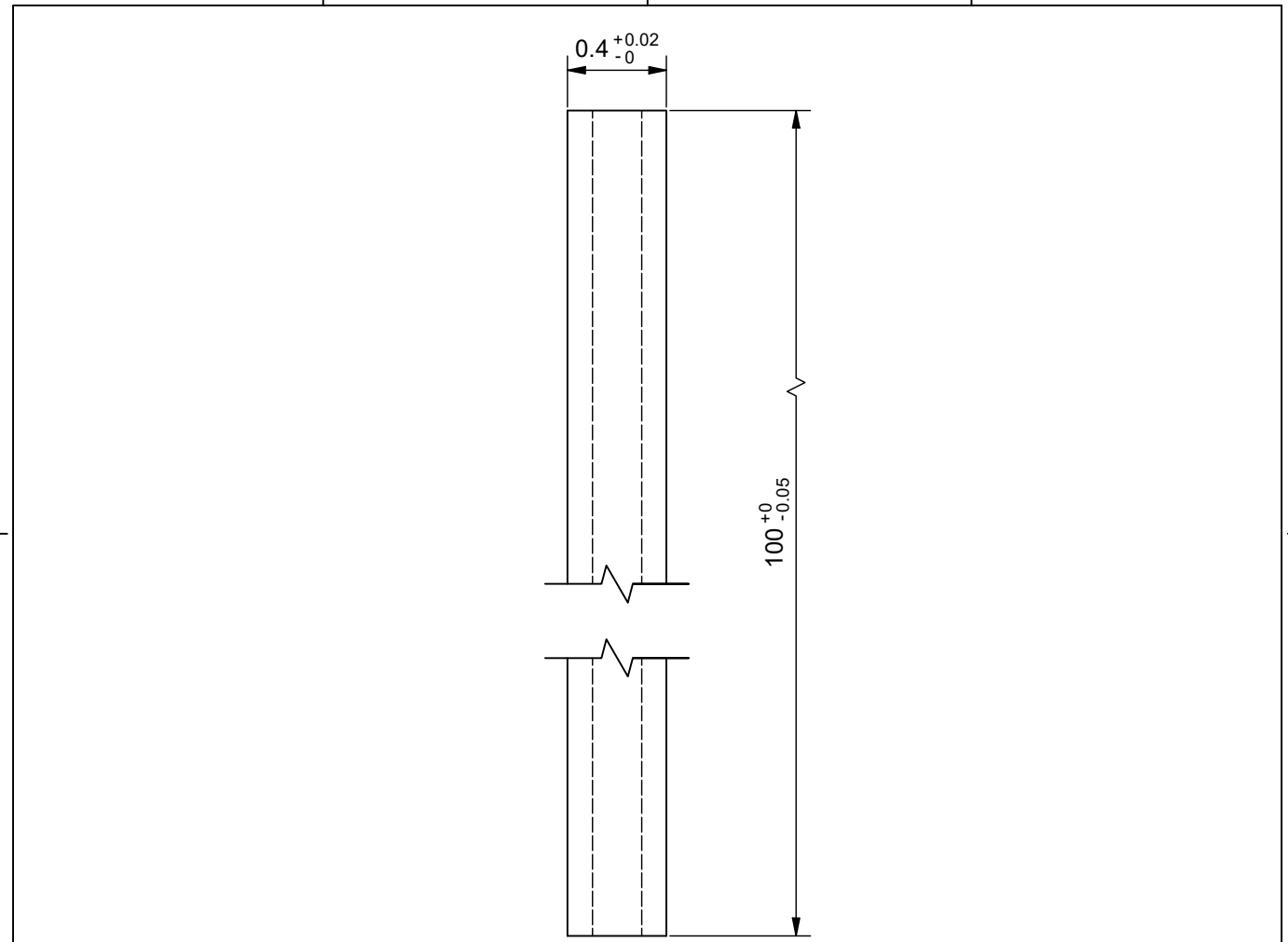


THIS DRAWING AND SPECIFICATION ARE THE PROPERTY OF THE SPACE APPLICATIONS CENTRE, DEPARTMENT OF SPACE, GOVERNMENT OF INDIA, AHMEDABAD AND SHALL NOT BE REPRODUCED OR COPIED OR USED AS THE BASE OR THE MANUFACTURE OR SALE OF APPARATUS OR DEVICES WITHOUT PRIOR PERMISSION.



Note:-

1. Bow tolerence 0.05mm per inch of length
2. Surface finish=0.01016mm Ra(max)

PART NO	DESCRIPTION	SIZE/REF. SH. NO.	MAT.	NO. OFF	REMARK	
<b>1</b>	DO NOT SCALE THE DRAWING UNLESS OTHERWISE STATED. DIMENSIONS ARE IN MM. REMOVE SHARP EDGES&BURRS	<b>APBN 1</b>			SURFACE AREA	
					WT. IN KGS.	
	DGN.				PROJECT	
	DVN.					
	DRN.					
	DRG.CHD					
	APD.				SHEET	
	SIGN.	DATE	SCALE: <b>NTS</b>		DRG. NO.	
					OF	

**A**

**B**

**C**

**D**

**4**

**4**

**3**

**3**

**2**

**2**

**1**

**1**

## Direction definition for Thermal Conductivity and Drawing

