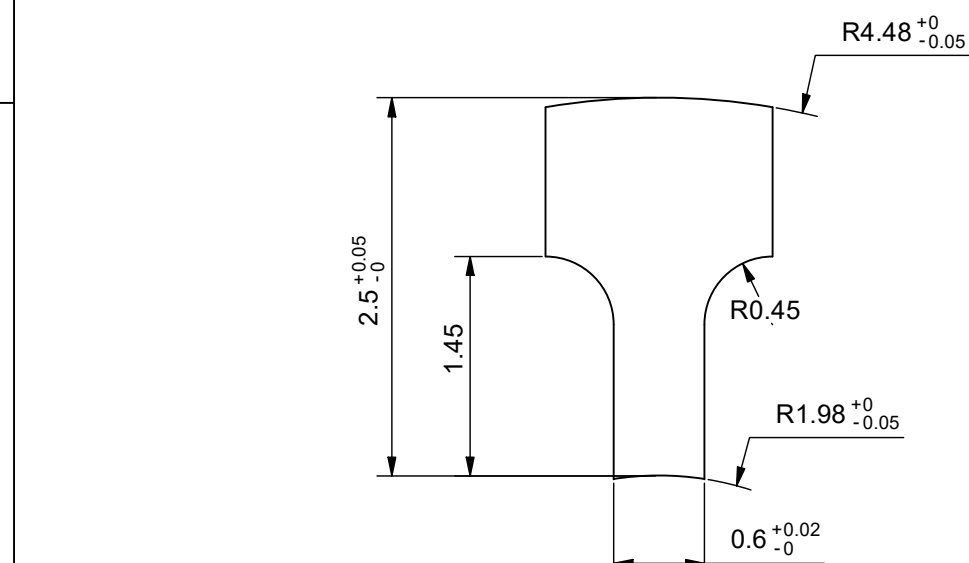
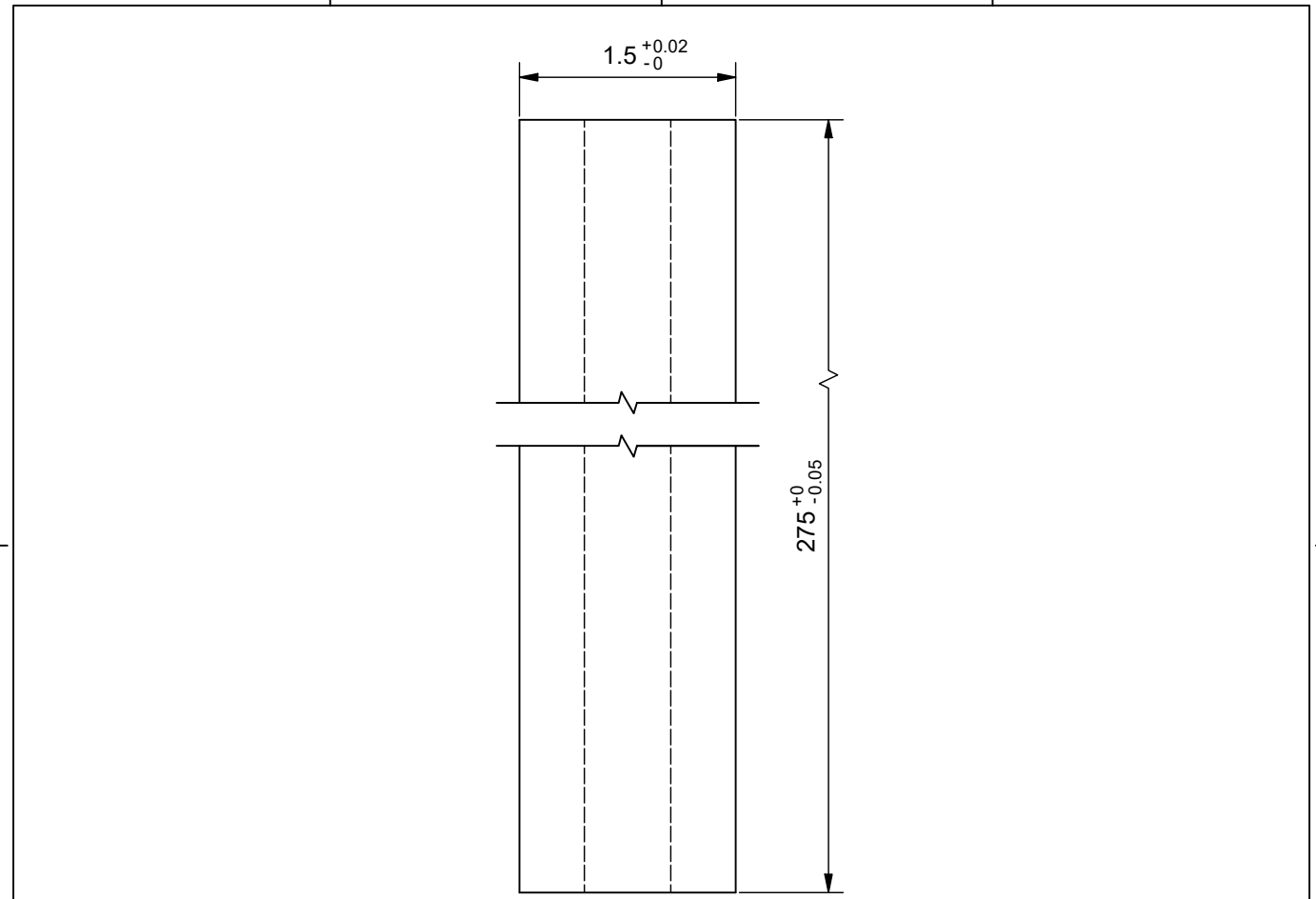
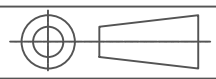


THIS DRAWING AND SPECIFICATION ARE THE PROPERTY OF THE SPACE APPLICATIONS CENTRE, DEPARTMENT OF SPACE, GOVERNMENT OF INDIA, AHMEDABAD AND SHALL NOT BE REPRODUCED OR COPIED OR USED AS THE BASE OR THE MANUFACTURE OR SALE OF APPARATUS OR DEVICES WITHOUT PRIOR PERMISSION.



Note:-

1. Bow tolerance 0.05mm per inch of length
2. Surface finish=0.01016mm Ra(max)

PART NO	DESCRIPTION	SIZE/REF. SH. NO.	MAT.	NO. OFF	REMARK	
1	DO NOT SCALE THE DRAWING UNLESS OTHERWISE STATED. DIMENSIONS ARE IN MM. REMOVE SHARP EDGES&BURRS		APBN 2			SURFACE AREA
			GOVERNMENT OF INDIA DEPARTMENT OF SPACE SPACE APPLICATIONS CENTRE AHMEDABAD-380 015			WT. IN KGS.
						PROJECT
						
						SHEET
						OF
			SCALE: NTS	DRG. NO.		
		SIGN.	DATE			

A

B

C

D

4

3

2

1

4

3

2

1

Direction definition for Thermal Conductivity and Drawing

