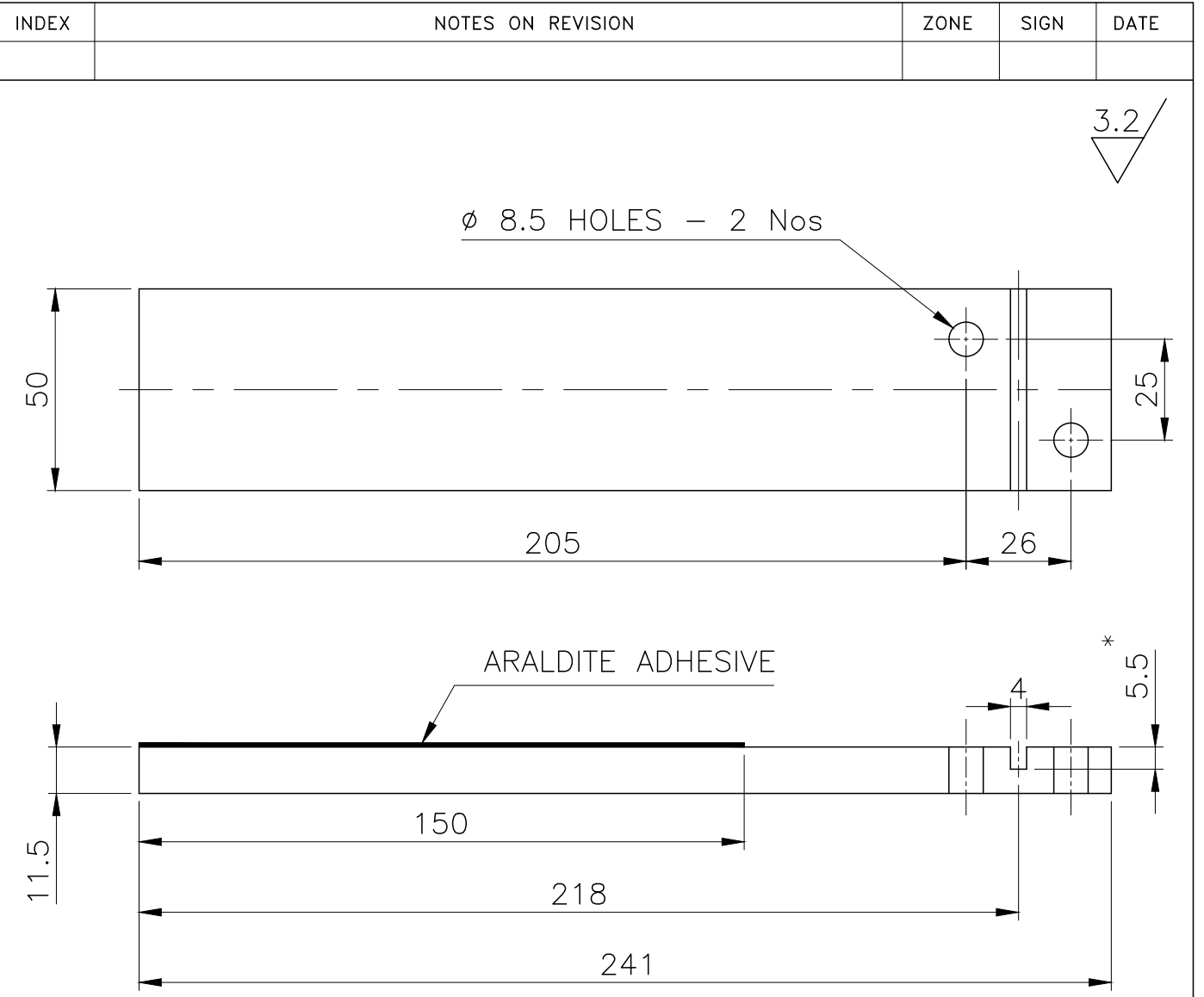


DEVIATIONS FOR NON TOLERANCED DIMENSIONS ( IS: 2102 MEDIUM )

MACHINING FINISH: MICRONS

INDEX

UP TO 6	6	30	120	315	1000	2000	4000	UP TO 6	6-30	30-120	120-400
±0.1	±0.2	±0.3	±0.5	±0.8	±1.2	±2.0	±3.0	1°	30'	20'	10'
LENGTH OR DIA	LENGTH OR DIA	LENGTH OR DIA	LENGTH OR DIA	LENGTH OR DIA	LENGTH OR DIA	LENGTH OR DIA	LENGTH OR DIA	LENGTH OR DIA	LENGTH OR DIA	LENGTH OR DIA	LENGTH OR DIA



**NOTES:**

1. ARALDITE TO BE REMOVED BY EMERYING.
2. MAXIMUM PARENT MATERIAL REMOVAL ALLOWED IS 50 MICRONS.
3. PARENT MATERIAL IS AA B51.
4. DIMENSIONS ARE GIVEN FOR THE PURPOSE OF INFORMATION ONLY. HOWEVER  
 " \*" MARKED DIMENSION TO BE MAINTAINED BY MILLING AFTER EACH EMERYING OPERATION.
5. REMOVE BURRS AFTER THE EMERYING / MILLING OPERATION

SR-25/01	EMERYING OF PLATE SHEAR TEST BLOCKS	REF. P O	AA B51	--	--	--		
PART NO.	DESCRIPTION	QTY	MATL.	WT.	SIZE	REMARKS		
DO NOT SCALE THE DRAWING. UNLESS OTHERWISE STATED DIMENSIONS ARE IN MM. REMOVE SHARP EDGES.		<b>EMERYING OF PLATE SHEAR TEST BLOCKS</b>				SCALE NTS		
PROJECT: GENERAL		STRUCTURES GROUP U R RAO SATELLITE CENTRE GOVERNMENT OF INDIA, DEPARTMENT OF SPACE BANGALORE, INDIA				PROJECTION 		
DIVISION	DESIGN						MANUFACTURING	
DESIGNED/DRAWN							DRAWING CHECKED	
DESIGN CHECKED							CHECKED FOR MFG.	
DESIGN APPROVED							APPROVED FOR MFG.	
	NAME	SIGN.	NAME	SIGN.	DRG.No.	SHEET		
					SR-25/01	- OF -		