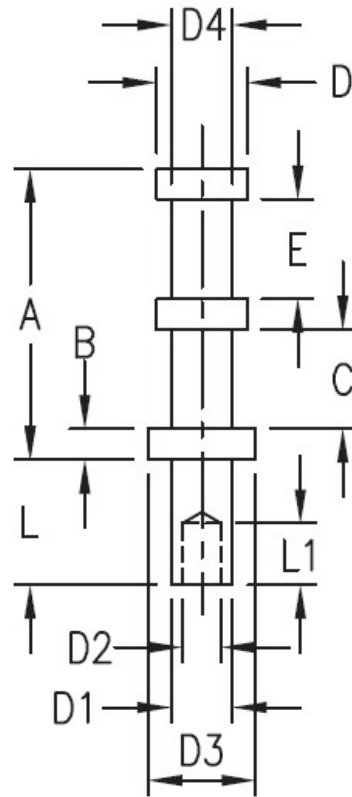


### Turret Dimensional details



Basic part no.	Board Thickness	A	B	C	D	D1	D2	D3	D4	E	L	L1	Mounting hole diameter
160-1597-02	0.062" (1.57mm)	0.219" (5.56mm)	0.023" (0.58mm)	0.093" (2.36mm)	0.093" (2.36mm)	0.090" (2.29mm)	0.064" (1.63mm)	0.125" (3.18mm)	0.046" (1.17mm)	0.063" (1.60mm)	0.094" (2.39mm)	0.062" (1.57mm)	0.093" (2.37mm)