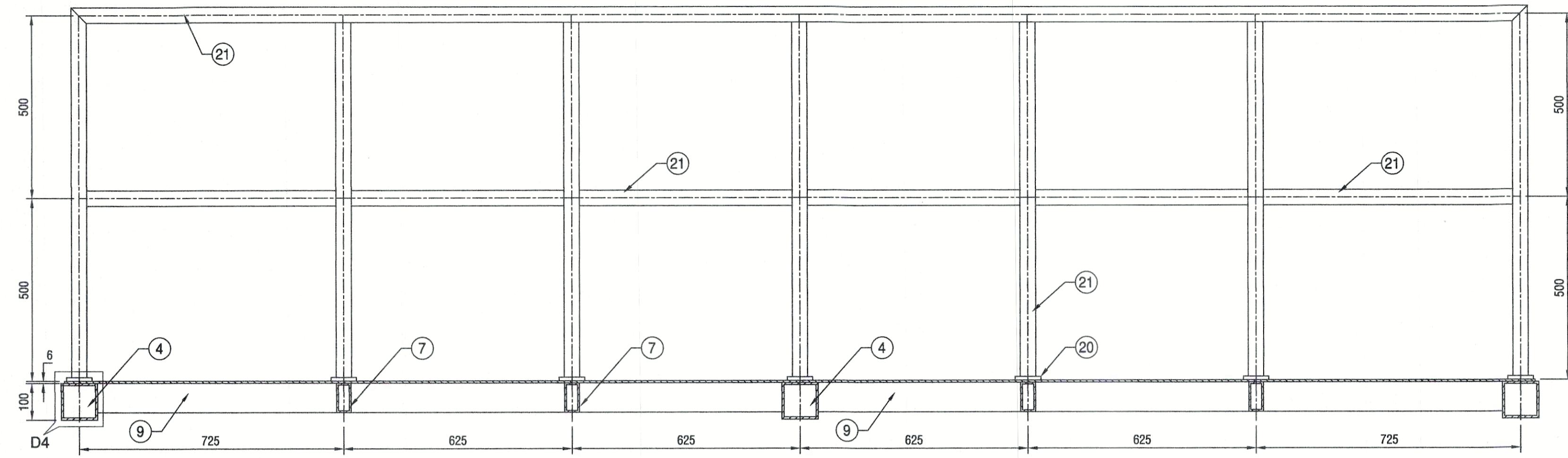
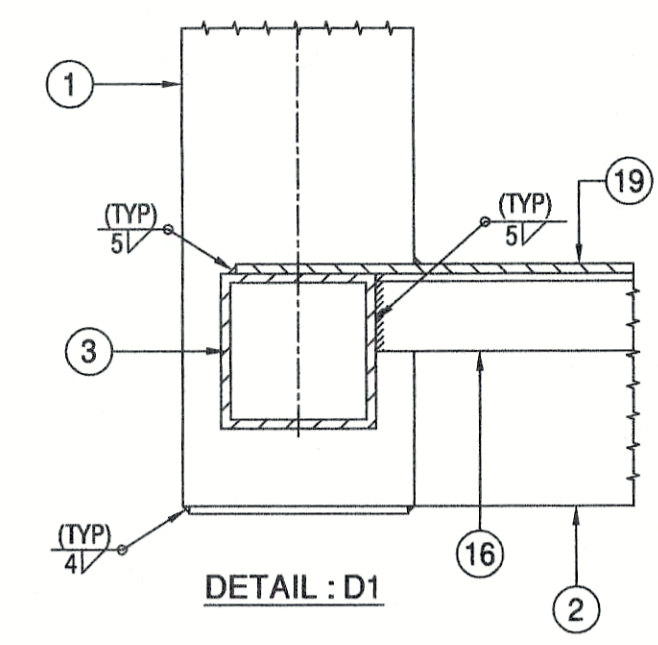


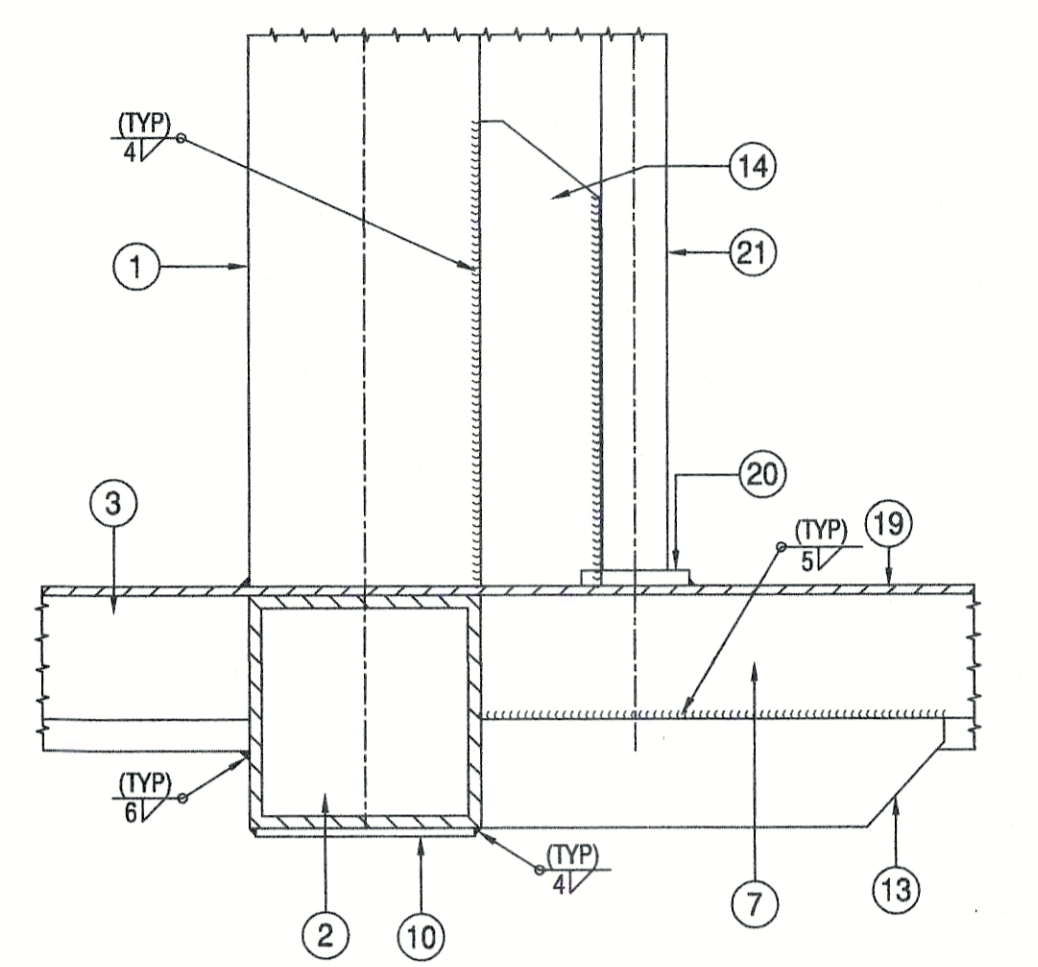
REF. DRG. NO. 10-MECH-12-8-24/A1/R1
 COM. FILE NO. SCEND/VVR/AH-29/2024/A1/BHARATH



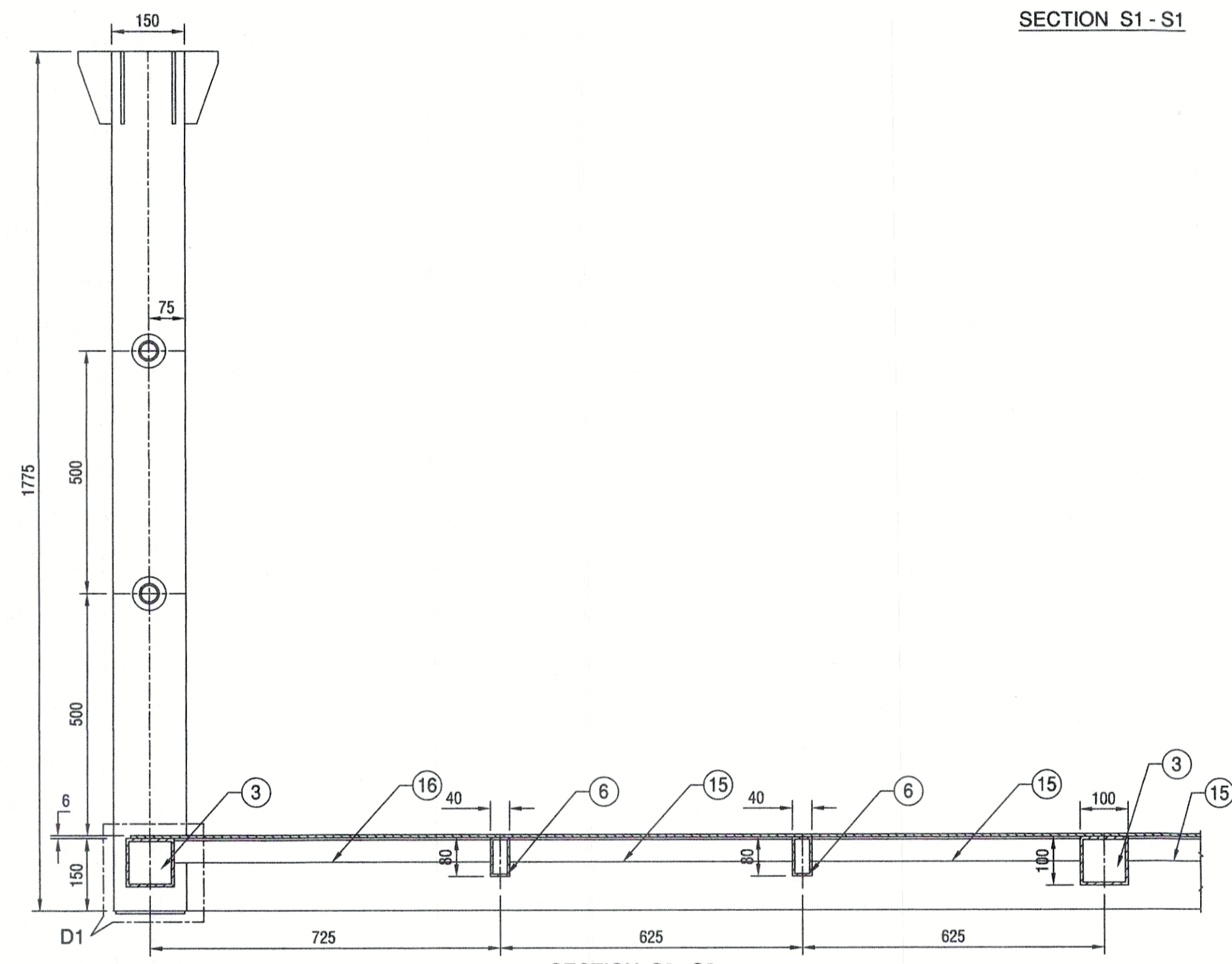
SECTION S1 - S1



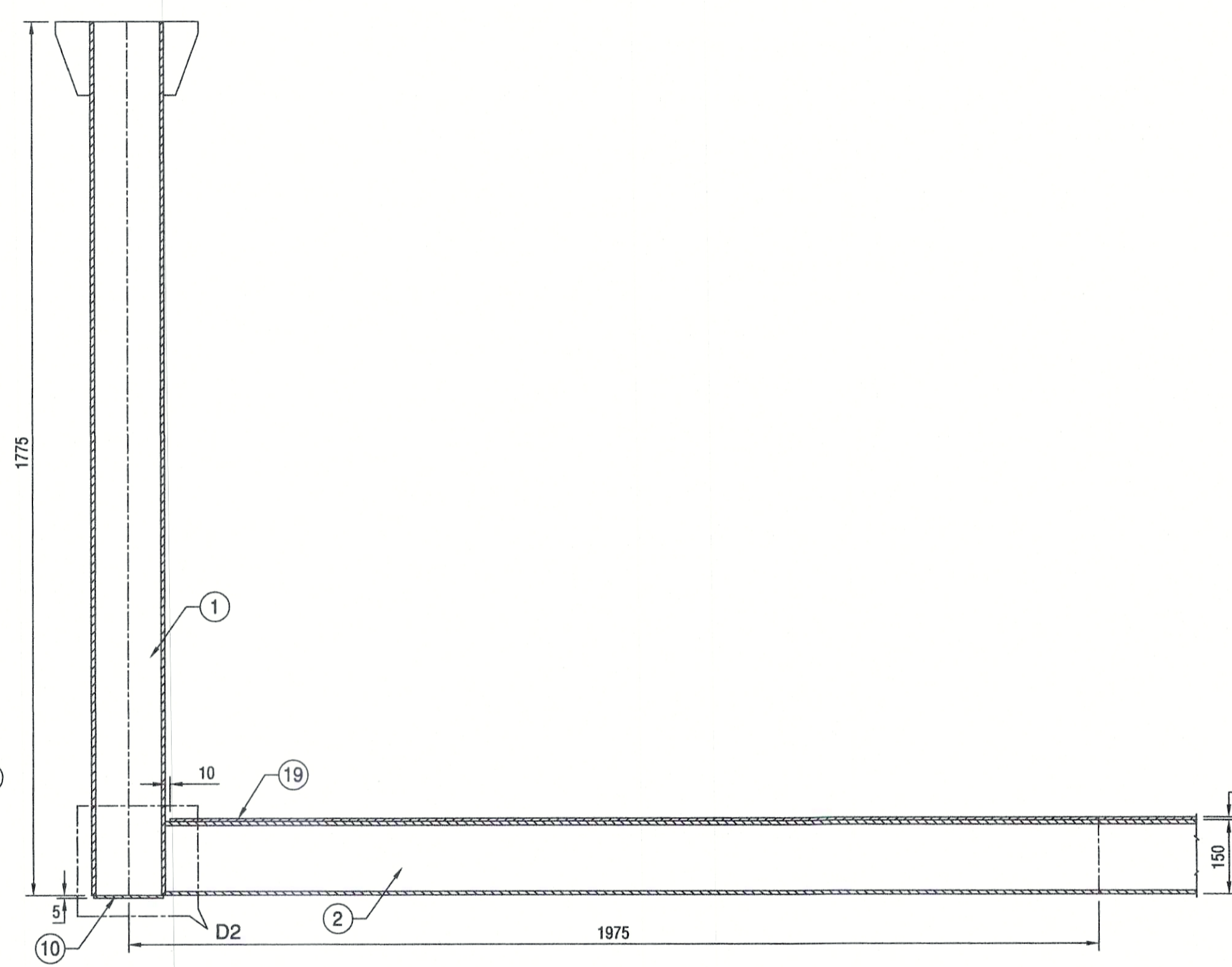
DETAIL : D1



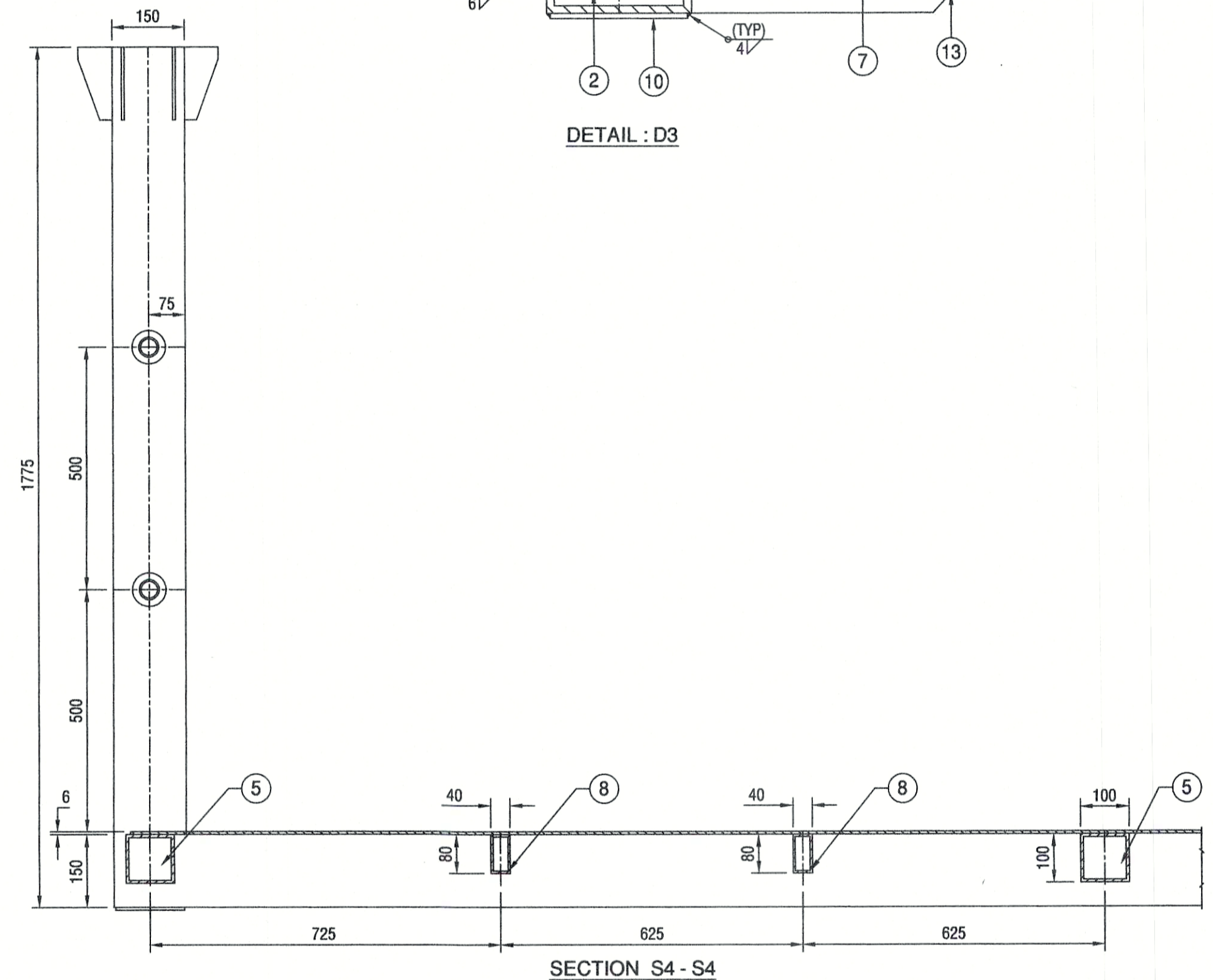
DETAIL : D3



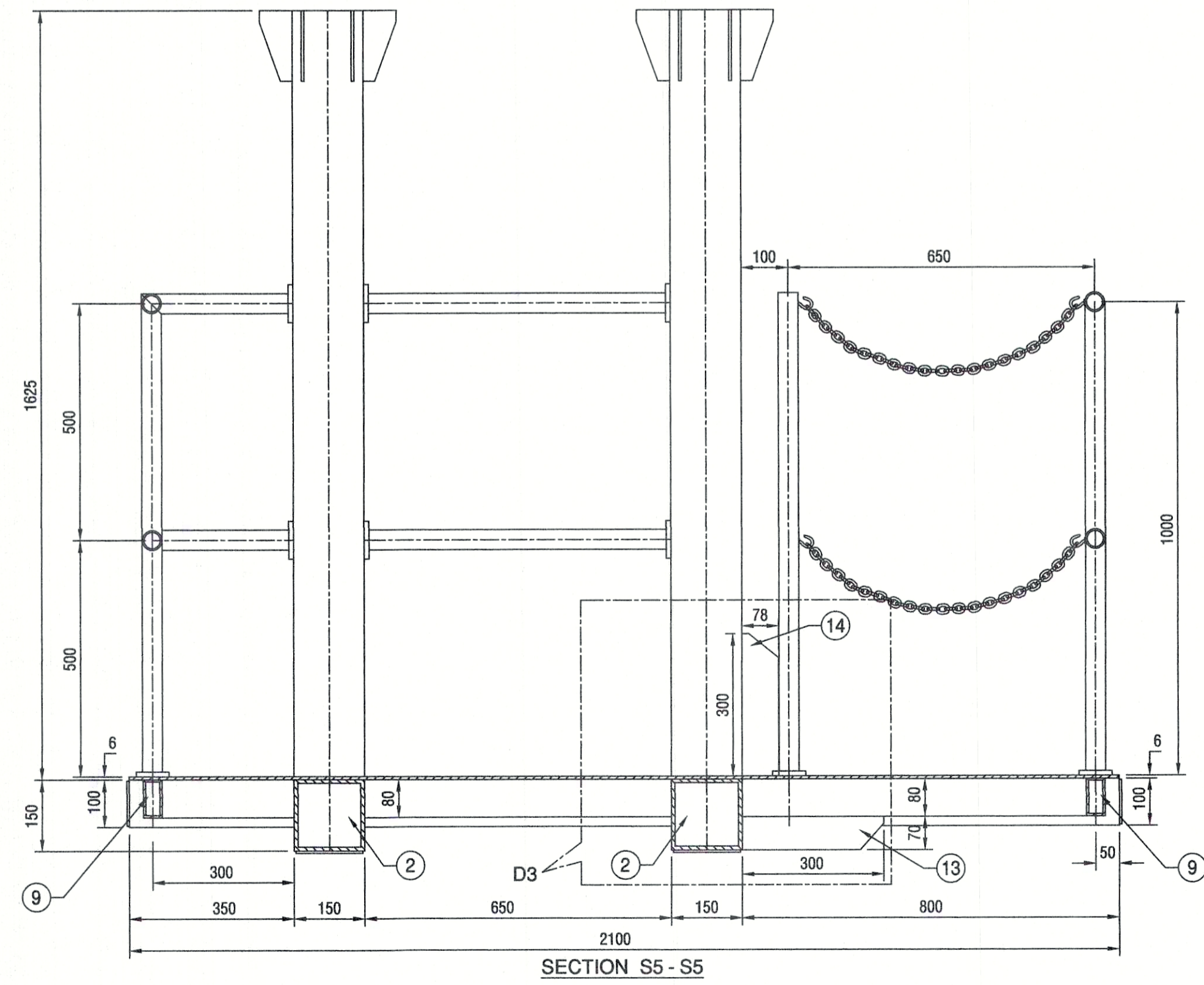
SECTION S2 - S2



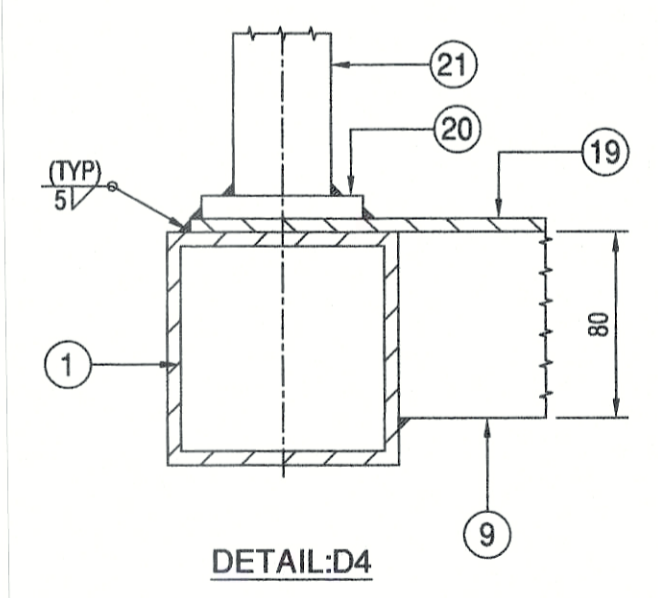
SECTION S3 - S3



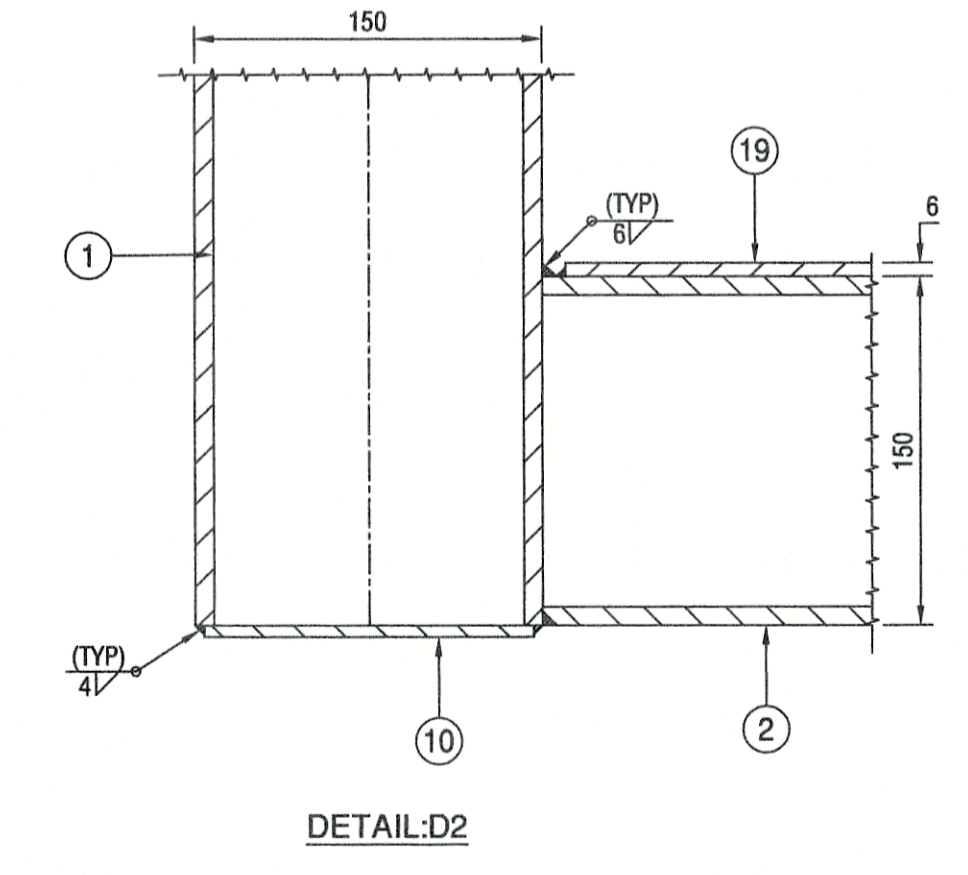
SECTION S4 - S4



SECTION S5 - S5



DETAIL : D4



DETAIL : D2

STATUS	SIGN	DATE
DISCUSSION / REVIEW		
TENDER PURPOSE		
FABRICATION	<i>[Signature]</i>	21/12/24
UNRESTRICTED	RESTRICTED	CONFIDENTIAL

DO NOT SCALE THE DRAWING
 ASK IF IN DOUBT
 UNLESS OTHERWISE SHOWN
 ALL DIMENSIONS ARE IN MILLIMETERS
 REMOVE SHARP EDGES & BURRS
 CHAMFER 1 M.M. X 45°
 MACHINING FINISH IN MICRONS :-
 ▽ 8 - 25 ▽ 1.6 - 8
 ▽▽ 0.025 - 1.6 ▽▽▽ < 0.025

DEVIATION FOR NON TOLERANCED DIMENSIONS (IS -2102)	
DIAMETERS & LENGTHS UPTO & INCL 6 ±0.1	LENGTH IN M.M. OF SHORTER SIDE OF ANGLE UPTO & INCL
6 - 30 ±0.2	1 - 6 ± 1'-00
30 - 120 ±0.3	6 - 30 ± 0'-30
120 - 315 ±0.5	30-120 ± 0'-20
315 - 1000 ±0.8	120-400 ± 0'-10
1000 - 2000 ±1.2	
2000 - 4000 ±2.0	
4000 & ABOVE ±3.0	

SCEND
 SHAR CENTRAL DESIGNS
 DESIGNED: *[Signature]*
 DRAWN: V. V. R. 14.12.23
 DRG.CHECKED: *[Signature]*
 APPROVED: *[Signature]*
 SIGN. DATE

S.NO	DESCRIPTION	MATERIAL	QTY	W.T	REMARKS
	TITLE MAINTENANCE PLATFORM FOR WHEEL BOGIE SYSTEM OF SLC PROJECT				
	GOVERNMENT OF INDIA INDIAN SPACE RESEARCH ORGANISATION SATISH DHAWAN SPACE CENTRE SHAR SRIHARIKOTA				PROJECTION
	SCALE 1 : 10	DRG. NO. 10-MECH-12-8-24/A1/R1	SHEET 2 OF 2		