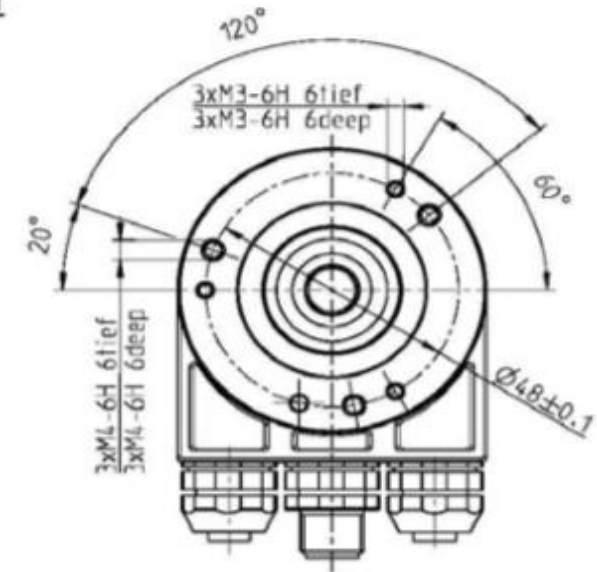
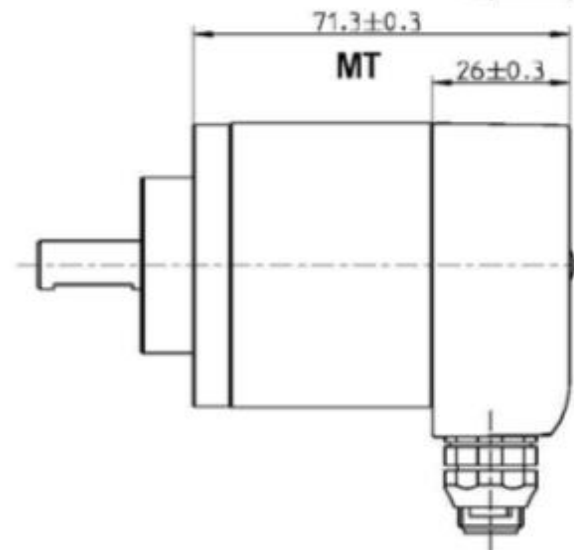
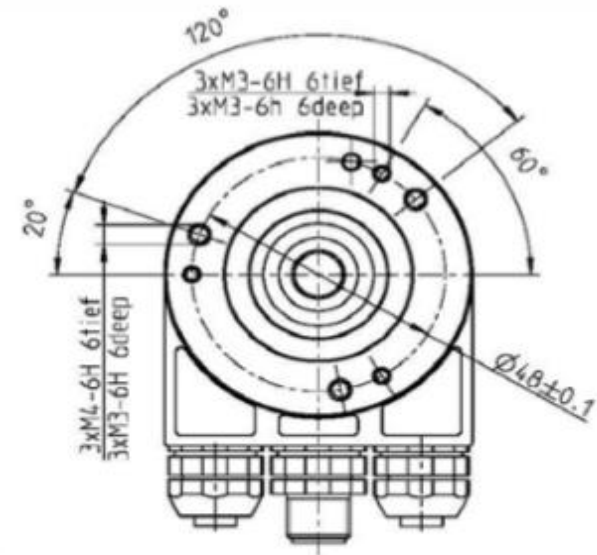
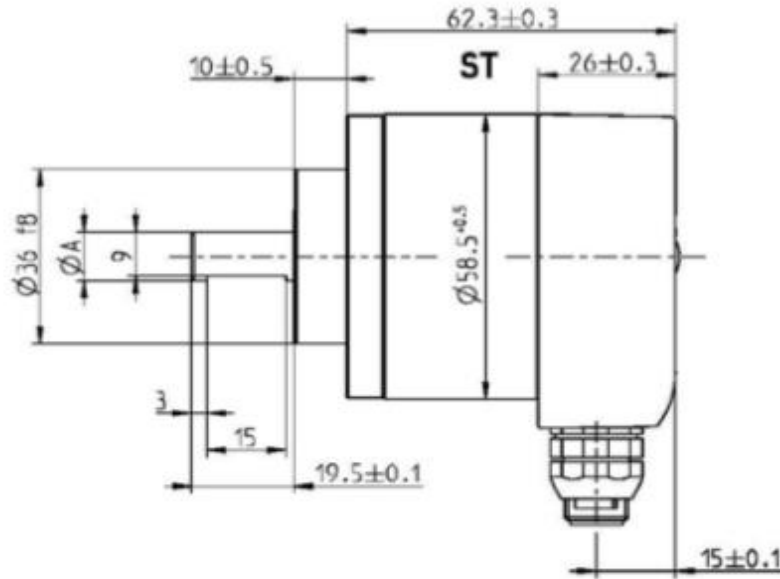
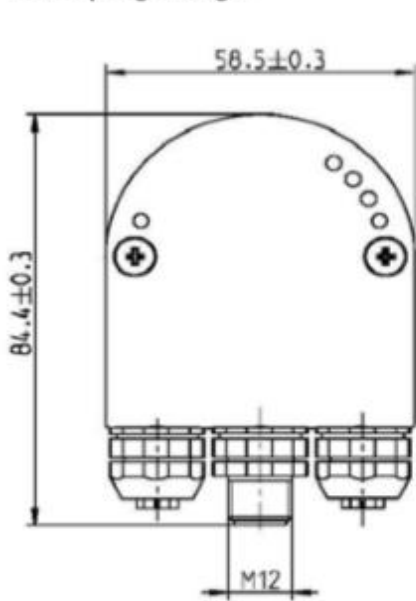


Ethercat encoder dimensions (Sl.no 2 and Sl.no3)

Clamping flange

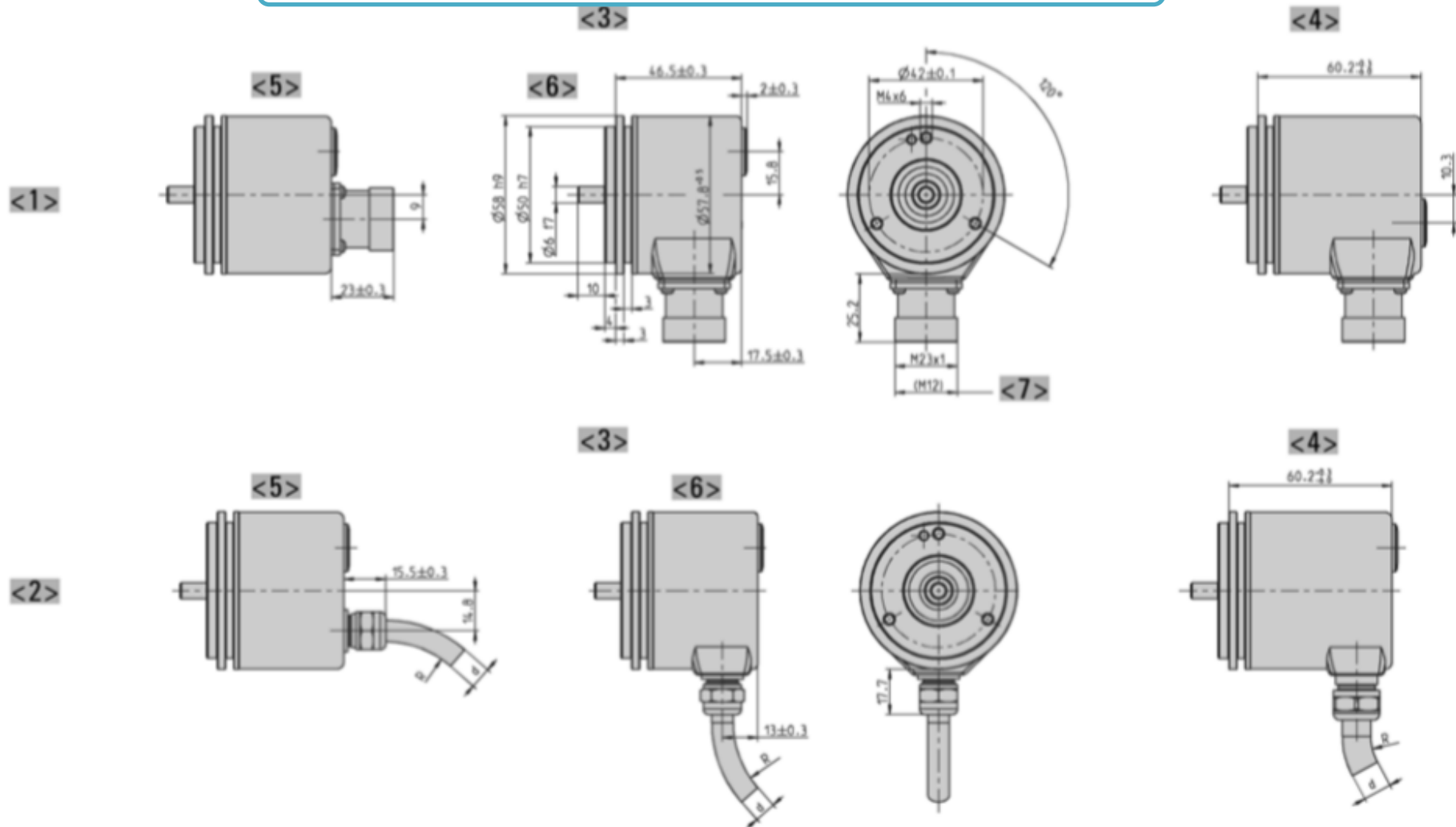


	Mass/dimension	
Wellen- $\varnothing A$ /shaft- $\varnothing A$	10 ^{-0.01} _{-0.02}	9.52 ^{-0.01} _{-0.02}
Code/code	"2"	"6"

Dimensions in mm

Synchro flange "S"

SSI encoder dimensions (Sl.no 1)



- <1> Connection M23 (Conin)
- <2> Connection cable
- <3> Interface: BiSS, SSI, ST-Parallel
- <4> Interface: MT-Parallel (only with cable), Fieldbus, SSI-P
- <5> axial
- <6> radial
- <7> Value in brackets alternative at SSI

Cable bending radius R for flexible installation $\geq 15 \times$ cable diameter
 Cable bending radius R for fixed installation $\geq 7.5 \times$ cable diameter
 Cable \varnothing d BiSS/SSI/SSI-P: $7,1^{+1,2}$
 Cable \varnothing d ST-P: $7,8^{+0,9}$
 Cable \varnothing d MT-P: $9,3^{+1,3}$
 Cable \varnothing d Fieldbus: $7,1^{+1,2}$

Dimensions in mm